

## Sink Phantom Gun Metal

Kitchen Sinks

Code: 4350 056



### DETAILS

Edge/Installation Type Undermount

---

Material AISI 304 stainless steel

---

Texture Brushed in line

---

Finish PVD

---

Coloring Gun Metal

---

Base 60 cm

---

Width 51.6 cm

---

Dimensions 516x416 mm

---

Bowl dimension 500 x 400 mm

---

Built-in hole

[View technical data sheet](#)

Standard fittings

Fixing hooks, drain, overflow and siphon, boxed packing

Mixer holes

No standard holes

Drainer

No

Waste fitting

3,5" drain

Number of bowls

1 bowl

## FEATURES

Basket 3,5" waste fitting

The drain is equipped with a large 3.5" drain, with the practical basket cap that prevents the discharge of solid parts.

Deep bowls

This bowls reach an important depth, over 20 cm, thanks to the advanced production technology, that can be offer great capiciency and practicity in all the washing operations.

Gun Metal

The Gun Metal finish is obtained by treating steel with a physical process called PVD (Phisical Vacuum Deposition) which deposits particles of noble metals on the surface. The result is a unique and refined aesthetic effect, and an improvement of the mechanical properties of the steel which is more resistant to impact and scratches.

High thickness

1mm thick steel. A significant thickness, which guarantees the maximum sturdiness and durability.

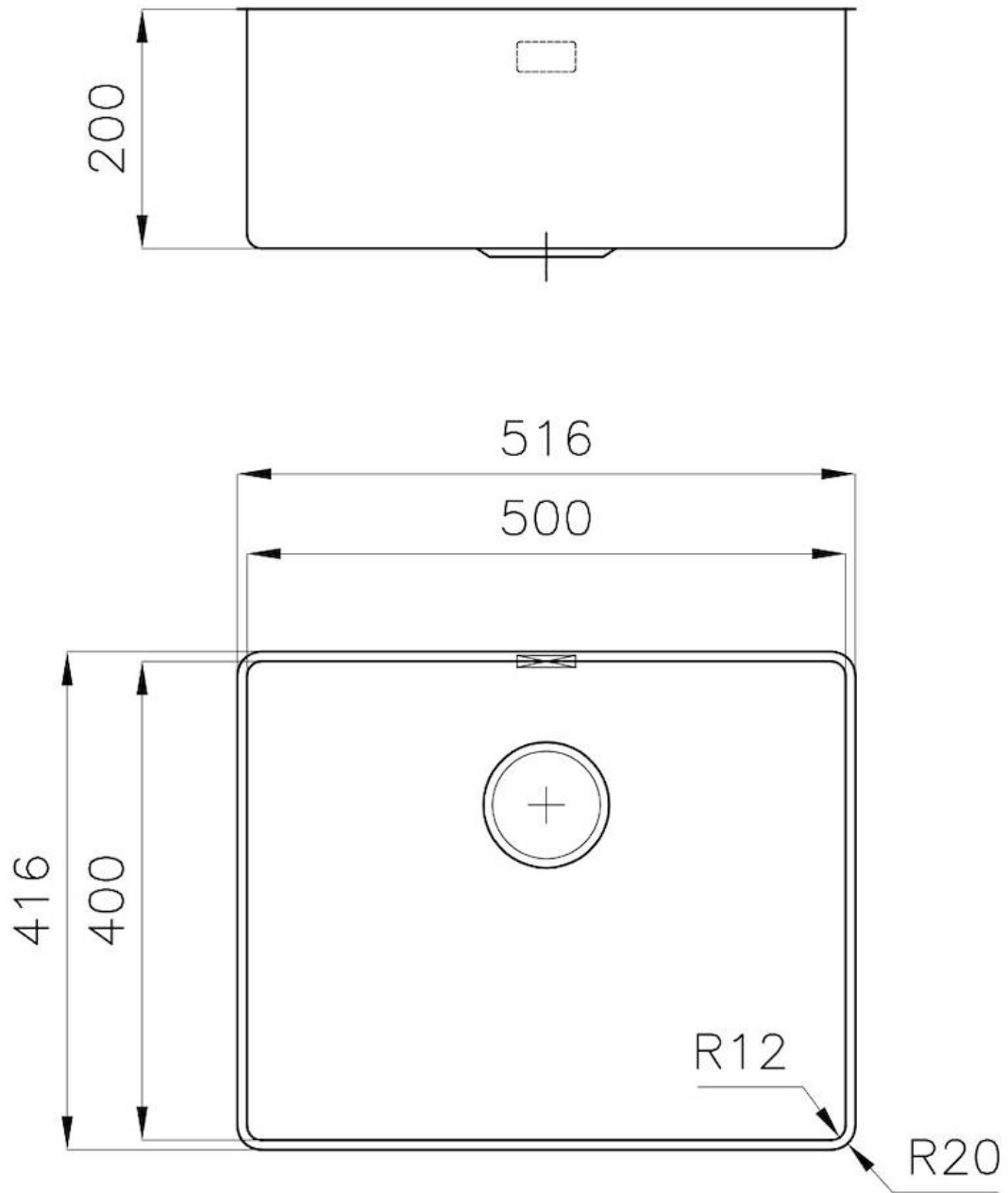
Perimetral overflow

The overflow is always a security on the Foster sinks that prevents the overflow of water in case of oversights. The perimeter drain solution improves aesthetics thanks to its square and essential shape.

Small radius

Bowls with squared shapes with a modern design and an increased capacity, for a minimal aesthetics connected with an extreme practicity.

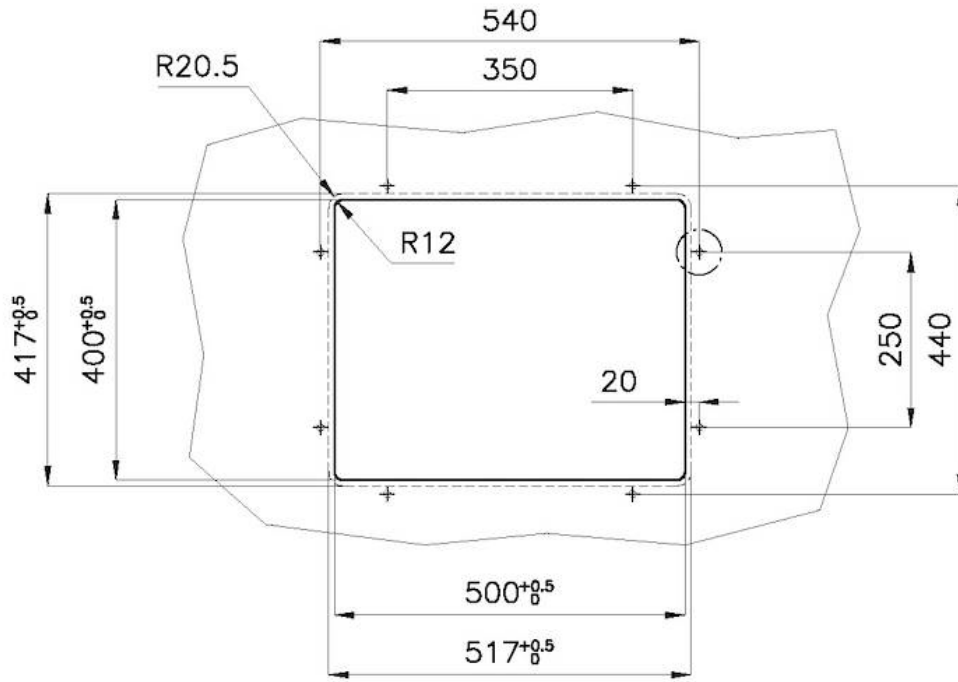
## TECHNICAL DATA



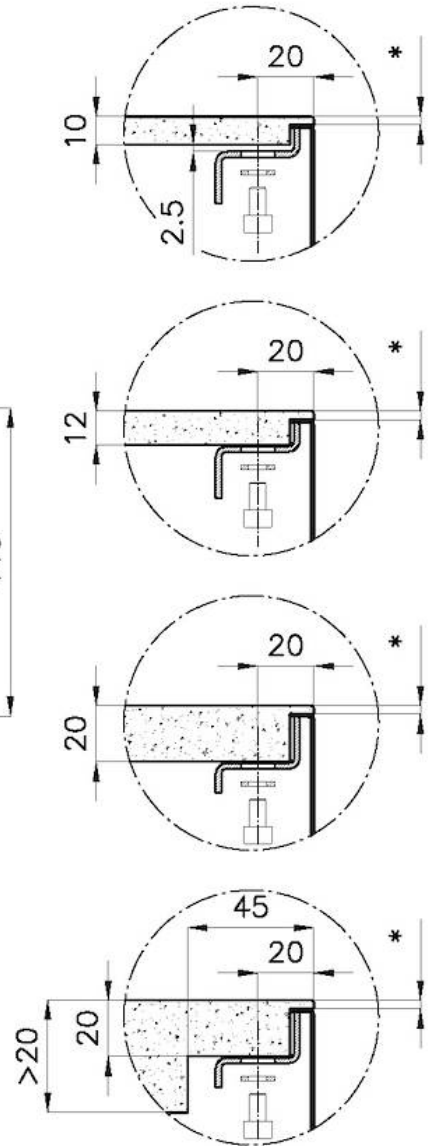


\* Lo spessore minimo deve essere valutato in base alla resistenza del materiale

\* The minimum thickness must be determined according to the strength of the material



Posizioni fori per fissaggio  
Fixing hole positions:



\* Lo spessore minimo deve essere valutato in base alla resistenza del materiale  
\* The minimum thickness must be determined according to the strength of the material

## GALLERY



## OPTIONAL ACCESSORIES



**Cestello inox**  
8612 000



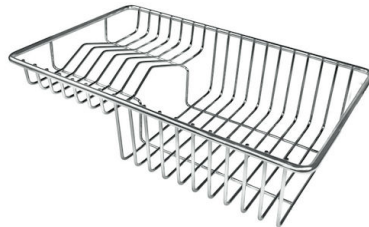
**Glass chopping board**  
8631 300



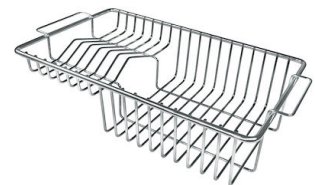
**HDPE Chopping board**  
8657 001



**HPDE Twin chopping board**  
8644 101



**Stainless steel plate rack**  
8100 303  
\* only in combination with the accessory  
8644 101



**Stainless steel plate rack**  
8100 201



**Stainless steel plate rack only usable in combination with the accessories 8644 003**

8100 154



**White bowl**

8153 100



**Black grid**

8100 617



**Black grid**

8100 653



**Black grid**

8100 651



**Black grid**

8100 652



**Graters kit with ring-holder and food collection tray**

8159 101

\* only in combination with the accessory

8644 101



**Iroko-wood sliding chopping board with stainless steel colander**

8644 044



**Stainless steel perforated tray**

8151 000

\* only in combination with the accessory

8644 101



**Stainless steel perforated tray PVD Copper**

8151 008



**Stainless steel perforated tray PVD Gold**

8151 009



**Stainless steel perforated tray PVD Gun Metal**

8151 006

## OPTIONAL AUTOMATIC WASTE FITTINGS



**Automatic waste fitting - PM**  
8407 113



**Space automatic waste fitting - PA**  
8407 108



**Space automatic waste fitting - PE**  
8407 109



**Space Light automatic waste fitting  
- PL**  
8407 117



**Space Push automatic waste fitting  
- PP**  
8407 116